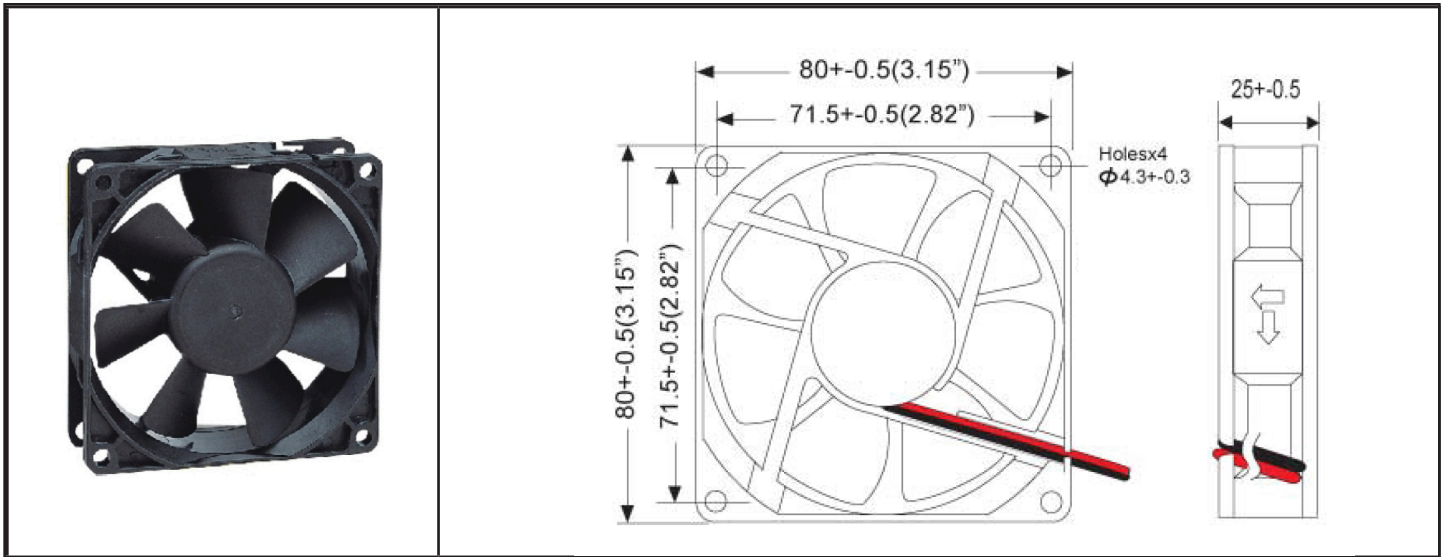


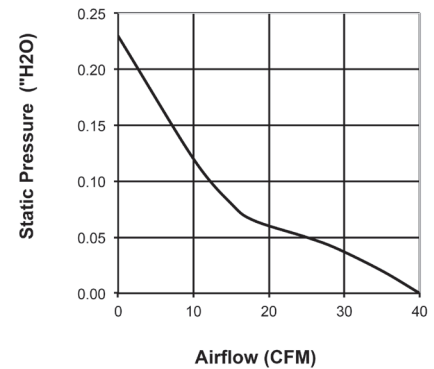
OD8025 Series



DC Fan - 48V 80x25mm (3.15"x 1.0")



Frame	PBT, UL94V-0	Notes
Impeller	PBT, UL94V-0	Date: 082013
Connection	Lead wires ~300mm *	<u>Available Options</u>
Motor	Brushless DC, imped- ance protected	Tachometer Alarm
Bearing System	Ball bearing	Thermal / PWM controls
Insulation Resistance	10M ohm between lead wire and frame (500VDC)	*Connection: UL1007 24AWG, black GND UL1007 24AWG, red Vcc
Dielectric Strength	60 seconds at 500VAC, max. leakage < 500 mA	
Temperature Range	-20C ~ +75C	
Life Expectancy	60000 hours (45C)	



Model Number	OD8025-48HB
Part Number	183441000
Nominal Voltage	48 VDC
Voltage Range	24 ~ 56 VDC
Rated Current (Amps)	0.08 A
Input Power (Watts)	3.8 W
Rated Speed (RPM)	3300
Airflow (CFM)	40
Noise Level (dB)	33
Max. Static Pressure (" H ₂ O)	0.23